

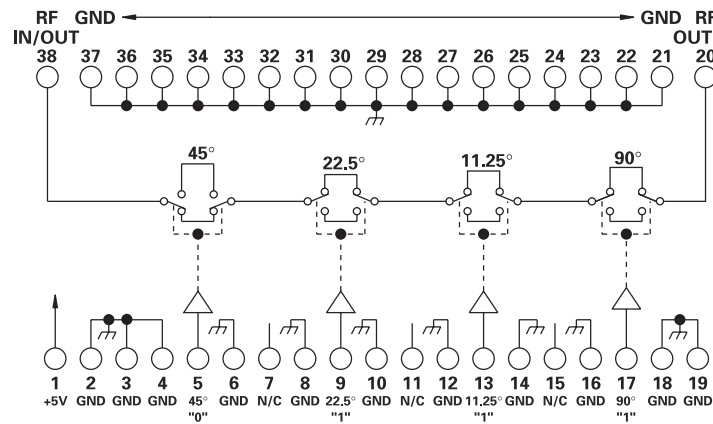
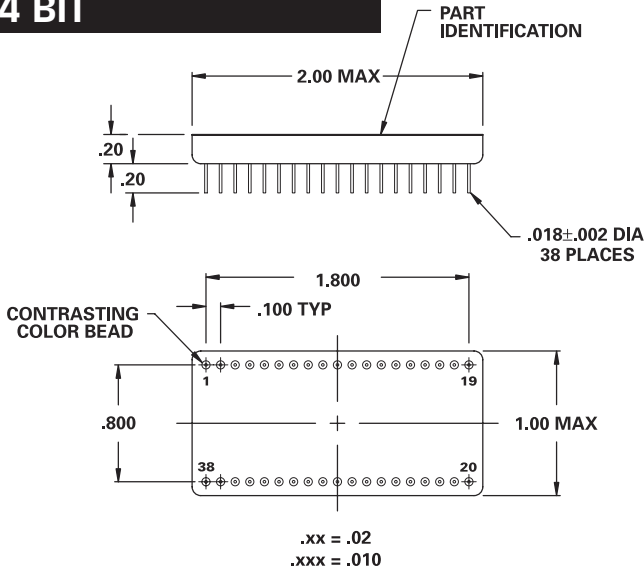
# MODEL NUMBER DPS42028

# Phase Shifter 4 Section

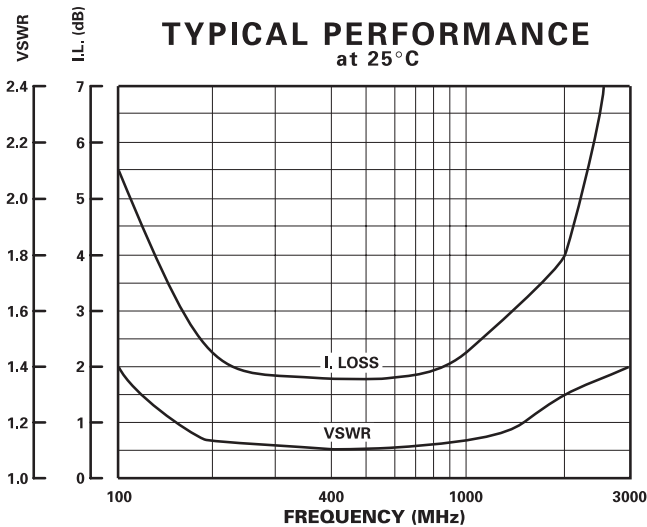
## FEATURES

- 500-1000 MHz
- Multiple Bit Phase Shifter in Small Package
- 38 Pin DIP

## 4 BIT



## TYPICAL PERFORMANCE at 25°C



## GUARANTEED PERFORMANCE

| Parameter                    | Min       | Typ    | Max    | Units | Conditions                                |
|------------------------------|-----------|--------|--------|-------|---|
| Operating Frequency          | 500       | 700    | 1000   | MHz   |   |
| DC Current                   |           | 47     | 100    | mA    | At +5 VDC Supply                          |
| Control Type                 |           | TTL    |        |       | 4 Line Logic "0" = Thru Logic "1" = Phase |
| Control Current              | High      | ±10    |        | µA    | VIH = +2.7 V                              |
|                              | Low       | ±10    |        | µA    | VIL = +0.5 V                              |
| Insertion Loss               |           | 2.1    | 3.0    | dB    |   |
| Phase                        | LSB       | 11.25  |        | DEG   | 11.25, 22.5, 45, 90 DEG                   |
|                              | Range     | 0      | 168.75 | DEG   | At 700 MHz                                |
|                              | Accuracy  |        | ±5     | DEG   | Any One Bit                               |
|                              |           |        | ±10    | DEG   | Any Combination                           |
| VSWR                         |           | 1.10/1 | 1.35/1 |       |   |
| Impedance                    |           | 50     |        | OHMS  |   |
| Switching Speed              |           | 140    | 500    | nSec  | 50% TTL to 90% / 10% RF                   |
| Transition (Rise/Fall) Time  |           | 70     |        | nSec  | 90% / 10% or 10% / 90% RF                 |
| Switching (Video) Transients |           | 300    |        | mV    | Peak Value                                |
| Intercept Points             | 2nd       | +71    |        | dBm   | 300 MHz / 200 MHz                         |
|                              | 3rd       | +32    |        | dBm   | 350 MHz / 200 MHz                         |
| RF Power                     | Operate   | +13    | +10    | dBm   | 0.1 dB Compression                        |
|                              | No Damage |        | +23    | dBm   |   |
| Operating Temperature        | -55       | +25    | +85    | °C    | TA  |



**DAICO** Industries

310.507.3242 • FAX 310.507.5701 • www.daico.com